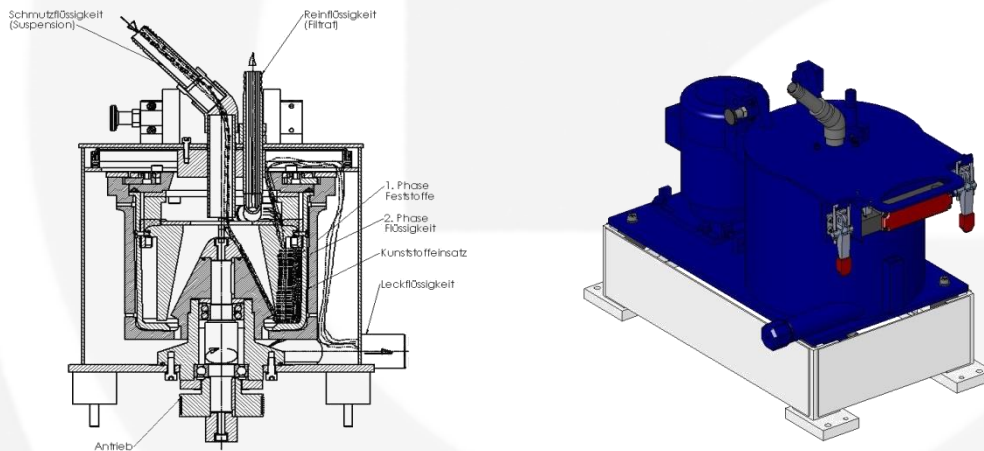


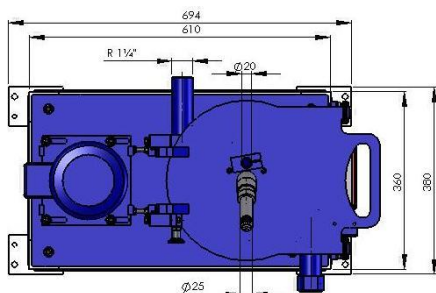


# Centrifuge MR 25

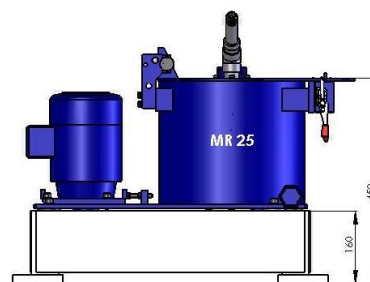
Full-jacket Centrifuge for Separation of Solids from Liquids



Technical Data	
Continuous liquid throughput	max. 35 l/min. coolant
Rotor capacity	2,6 dm <sup>3</sup>
Solids volume	1,8 dm <sup>3</sup>
Rotor speed	3950 1/min
Separating Factor	1.800 g (1 g = gravity acceleration)
Drive	Via poly-V belt
Drive power	0,75 kW at 50 Hz
Solids discharge	manually
Clean liquid return	Under pressure on housing cover
Remaining liquid	when the centrifuge is stopped pressureless drain on the side of housing
Inlet tank	-
Clean liquid tank	-
Remarks/Other	The smallest HKS-model



Draufsicht



Seitenansicht



Turbo-HKS GmbH  
 Robert-Gerwig-Strasse 25  
 78244 Gottmadingen  
 Germany  
 +49 (0) 7731 / 8801-0  
 +49 (0) 7731 / 8801-18  
 www.turbo-hks.com  
 info@turbo-hks.com